

Technical Product Submittal – i-32V512

Model Number:	12
HEATING	
(1) Min. Input Power (kW):	2.73
(1) Min. Heating Capacity (kW):	5.33
(1) Nom. Heating Capacity (kW):	11.8
(1) Max. Heating Capacity (kW):	13.6
(2) Max. Input Power (kW):	3.33
(2) Min. Heating Capacity (kW):	5.13
(2) Nom. Heating Capacity (kW):	11.5
(2) Max. Heating Capacity (kW):	13.2
(1) C.O.P. (W/W):	4.43
(2) C.O.P. (W/W):	3.44
S.C.O.P. (W/W):	4.47
Water Flow Rate (L/s):	0.55
ERP Efficiency Class (Water @ 35°C/55°C):	A+++/A++
COMPRESSOR	
Compressor Type:	Twin Rotary DC Inverter
Number of Compressors:	1
REFRIGERANT	
Refrigerant Type:	R32
FANS	
Fan Type:	DC Brushless Motor
Number of Fans:	1
INTERNAL HEAT EXCHANGER	
Type of Heat Exchanger:	Plates
Number of Heat Exchangers:	1
Water Content (L):	1.2
Heat Exchanger Pressure Drop (kPa):	13.1
WATER CIRCUIT	
Water Content of Hydraulic Circuit (L):	1.8
Max. Water Side Pressure (bar):	6
Min. Water Volume (L):	60
Max. Circulator Output (kW):	0.08
ELECTRICAL DATA	
Power Supply (V):	230
Max. Input Power (kW):	5.1
Max. Input Power w/Antifreeze Kit (kW):	5.2
NOISE LEVEL	
Sound Power Level (dB):	65
Sound Pressure Level @ 10m (dB):	33.7
WEIGHT	
Operating Weight (kg):	96

Performance referring to the following conditions, according to standard 14511:2018:

1. Heating: outdoor air temperature 7°C DB/6°C WB*; in/out water temp 30/35°C.
2. Sound power level: heating mode condition (1); value calculated based on measurements made in accordance with standard UNI EN ISO 9614- 2, compliant with the requirements of the Eurovent certification.
3. Sound pressure level: value calculated from the sound power level using ISO 3744:2010.

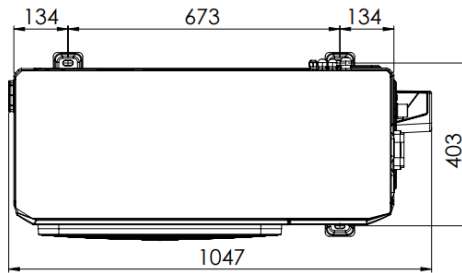
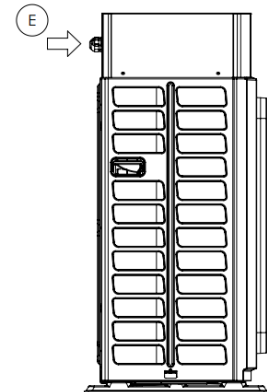
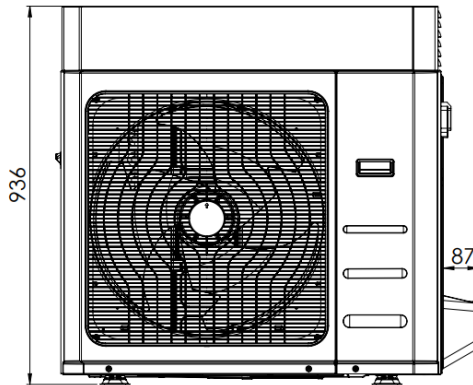
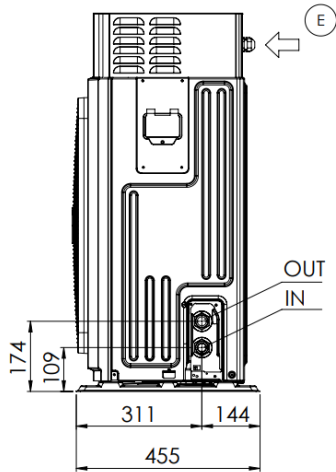
*DB & WB represent dry-bulb and wet-bulb air temperatures respectively



Rinnai

sales@rinnaiuk.com | 01928 531870

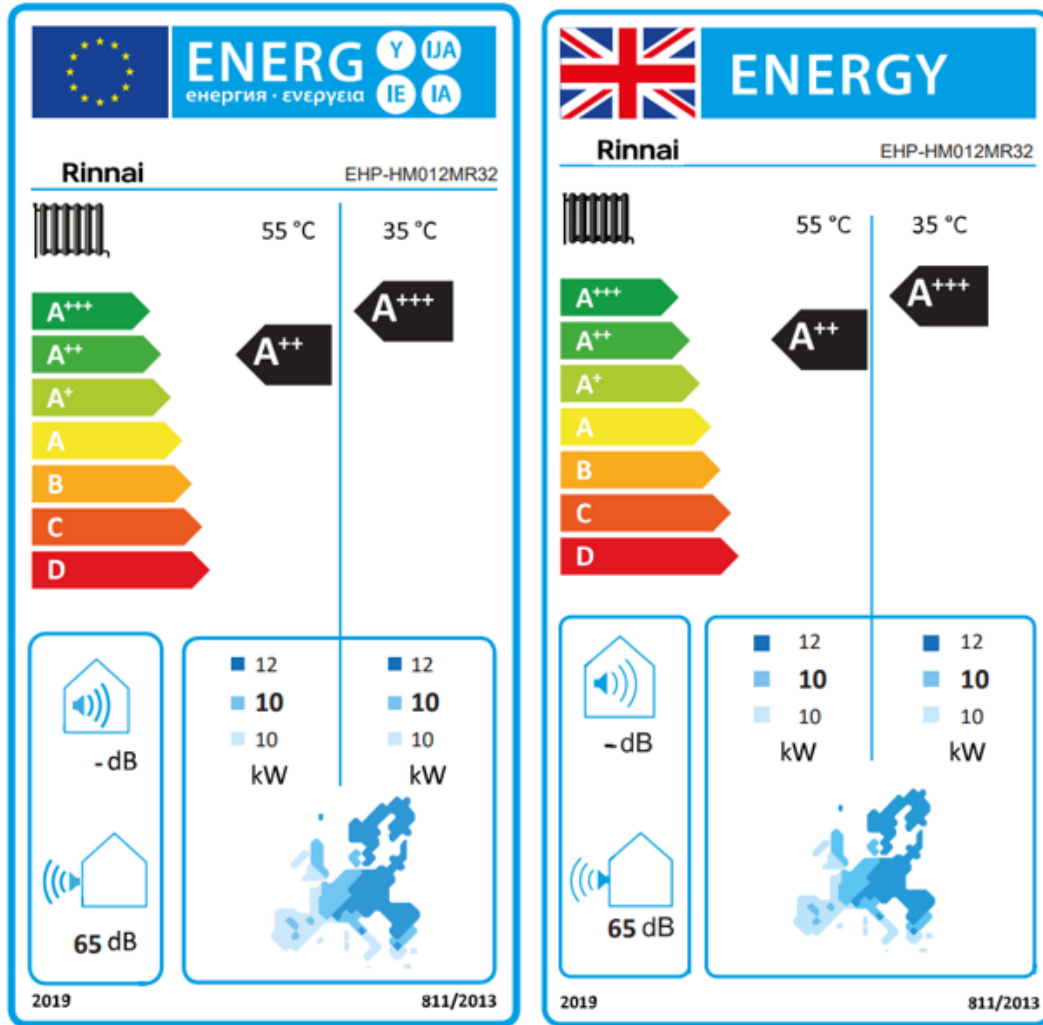
Technical Product Submittal – i-32V512



Rinnai

sales@rinnaiuk.com | 01928 531870

Data label and Product Fiche – i-32V512



Product Fiche		Unit
Supplier's Name	Rinnai UK	
Supplier's Model	i-32V512	
ERP Efficiency Class	A+++ / A++	
COP ₁	4.43	W/W
COP ₂	3.44	W/W
SCOP	4.47	W/W
Heating Input ₁	2.73	kW
Heating Input ₂	3.33	kW
Temperature Setting*	60	°C
Refrigerant Type	R32	
Indoor Sound Power Level (LWA)	65	dB
Sound Pressure Level @ 10m (dB)	33.7	dB



Rinnai

sales@rinnaiuk.com | 01928 531870